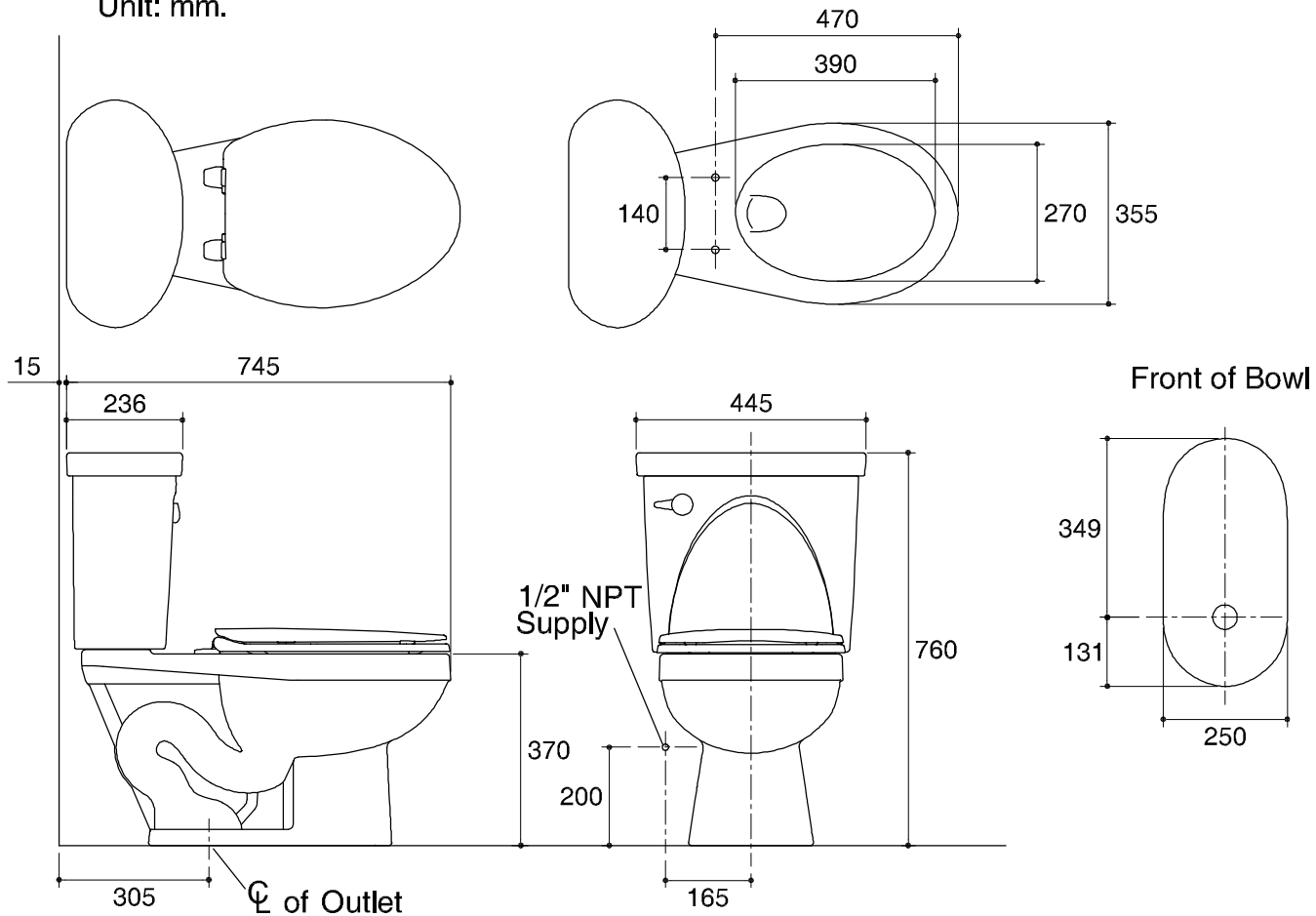


Dimensions are approximate.

Unit: mm.



SKU	K-45311X-S-WK
Name	TRISTAR PLUS
Description	2PC TOILET

**KARAT**

\* The recommended dimension for installation can be adjusted according to user preferences and layout.